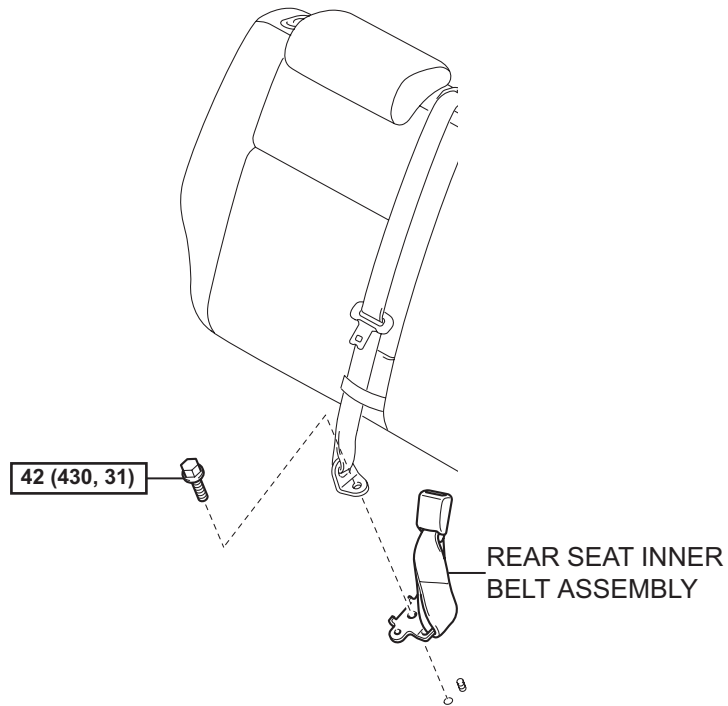


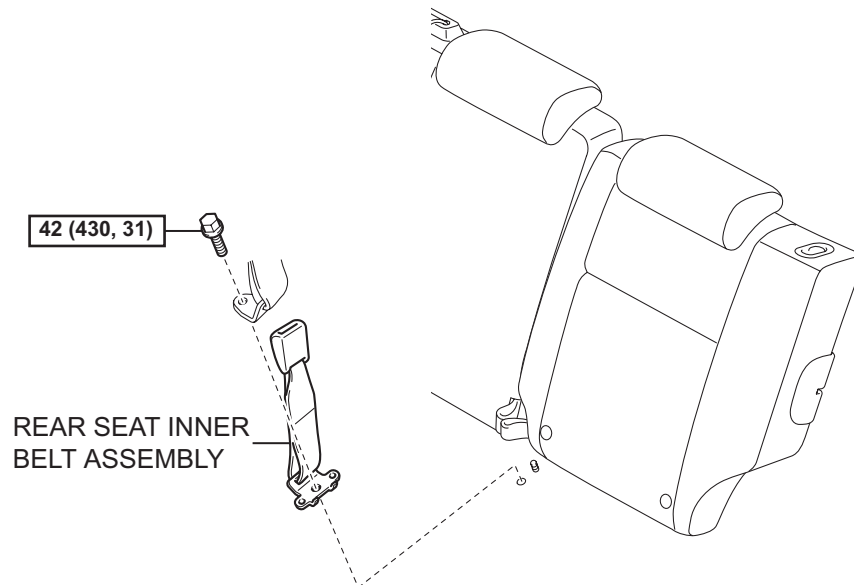
# REAR SEAT INNER BELT ASSEMBLY

## COMPONENTS

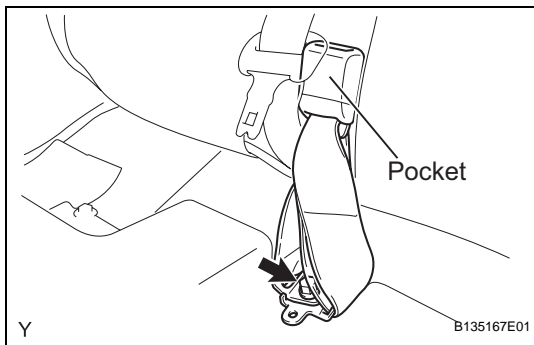
for RH Side:



for LH Side:



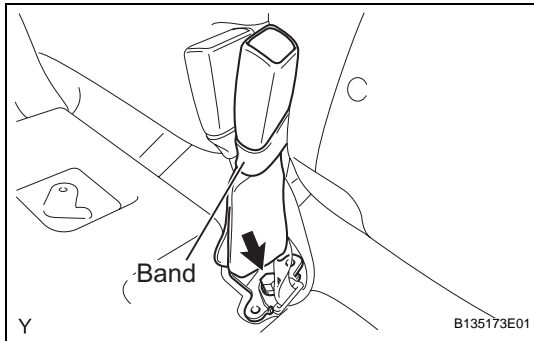
**N\*m (kgf\*cm, ft\*lbf)** : Specified torque



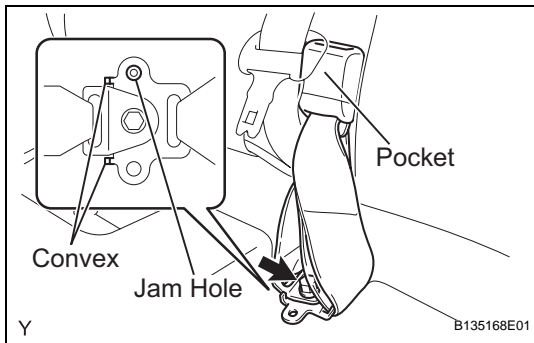
## REMOVAL

### 1. REMOVE REAR SEAT INNER BELT ASSEMBLY

- (a) for RH Side:
- (1) Pull up the rear seat cushion.
  - (2) Remove the buckle from the rear seatback pocket.
  - (3) Remove the bolt, the anchor plate of the rear center seat outer belt and the rear seat inner belt.



- (b) for LH Side:
- (1) Pull up the rear seat cushion.
  - (2) Remove the buckle from the rear seatback band.
  - (3) Remove the bolt, the anchor plate of the rear center seat inner belt and the rear seat inner belt.



## INSTALLATION

### 1. INSTALL REAR SEAT INNER BELT ASSEMBLY

- (a) for RH Side:
- (1) Align the jam hole in the anchor plate of the rear seat inner belt with the stud bolt of the body and provisionally install the anchor plate.
  - (2) Install the anchor plate of the rear center seat inner belt with the bolt.

**Torque: 42 N\*m (430 kgf\*cm, 31 ft.\*lbf)**

**NOTICE:**

**Do not place the anchor plate over the convex areas of the rear seat inner belt.**

- (3) Install the buckle into the rear seatback pocket.
- (4) Install the rear seat cushion.

- (b) for LH Side:
- (1) Align the jam hole in the anchor plate of the rear seat inner belt with the stud bolt of the body and provisionally install the anchor plate.
  - (2) Install the anchor plate of the rear center seat inner belt with the bolt.

**Torque: 42 N\*m (430 kgf\*cm, 31 ft.\*lbf)**

**NOTICE:**

**Do not place the anchor plate over the convex areas of the rear seat inner belt.**

- (3) Install the buckle into the rear seatback band.
- (4) Install the rear seat cushion.

